

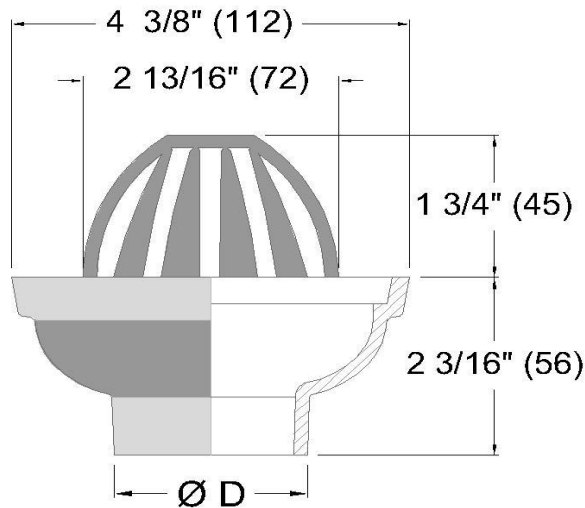
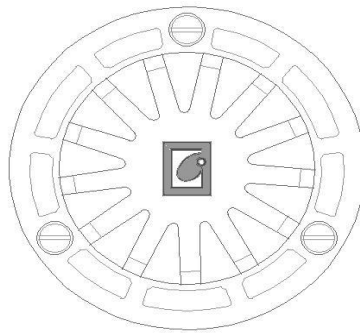


CARM IOL INDUSTRIAL S.A.
 200 North of FACO
 San José, Costa Rica
 Tel. (506) 2240-3836
 carmiolindustrial@ice.co.cr www.carmiolindustrial.com

CI 200

S M A L L R O O F D R A I N

Concrete roof gutters, balconies, rooftops or any area with no foot traffic where the accumulation of leaves and other debris is expected. The height of the dome ensures the water will still flow towards the pipe even when the bottom of the dome is obstructed. For 2" pipe outlet and areas with low volumes of water.



All dimensions are subject to manufacturing tolerances and may change without notice

SCALE: NONE
DATE OF LAST CHANGE: 05-12-16
DATE: 04-27-09
APPROVED BY: AC
REVIEWED BY: AC
DRAWN BY: TV

DRAWING NUMBER: 0552009

Ø D inches (mm)	PIPE CONNECTION	MATERIAL	DOM E OPEN AREA sq inches (cm 2)
50 (2")	E = embedded (best seller) RI=internal thread RE=external thread	A=aluminum	8.6(55.4)