

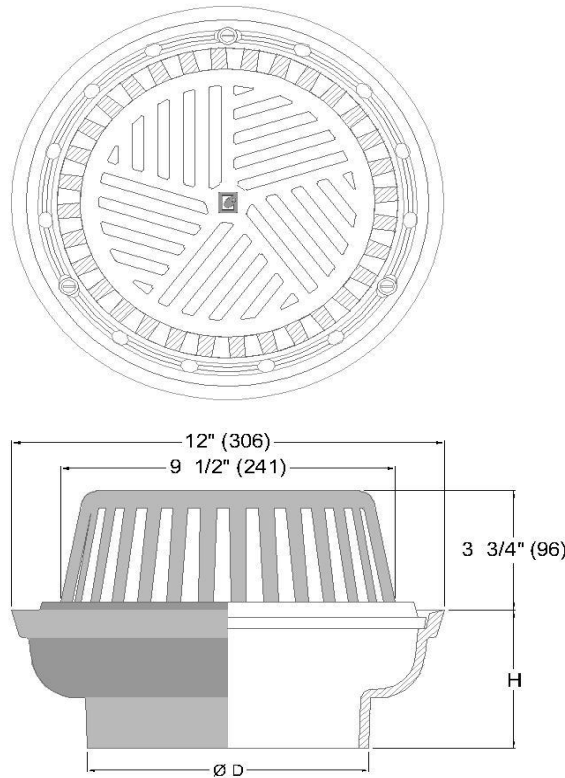


CARMIO INDUSTRIAL S.A.
 200 Norte de F.A.C.O
 San José, Costa Rica
 Tel. (506) 2240-3836 Fax.(506) 2297-0179
 carmiolindustrial@ice.co.cr www.carmiolindustrial.com

CI 207

LARGE ROOF DRAIN

Rooftops where it is necessary to evacuate large amounts of water. It comes with a ring that prevents small rocks from going into the pipes. Due to its large dome design, the frequency of maintenance of the surrounding areas is reduced. For 200 mm (8") or smaller pipe outlet.



All dimensions are subject to manufacturing tolerances and may change without notice

SOLE NONE
DATE OF LAST CHANGE: 05-12-16
DATE: 04-27-09
APPROVED BY: AC
REMOVED BY: AC
DRAWN BY: TV
DRAWING NUMBER: 0612009

Ø D inches (mm)	PIPE CONNECTION	MATERIAL	H inches (mm)	DOME OPEN AREA sq inches (cm ²)
2" (50)	E = embedded (best seller) RI = internal thread RE = external thread	A = aluminum	3-11/16" (94)	61.1 (394)
3" (75)			4-1/16" (103)	
4" (100)			4-7/16" (113)	
6" (150)			4-3/8" (111)	
8" (200)			4-5/16" (109)	