

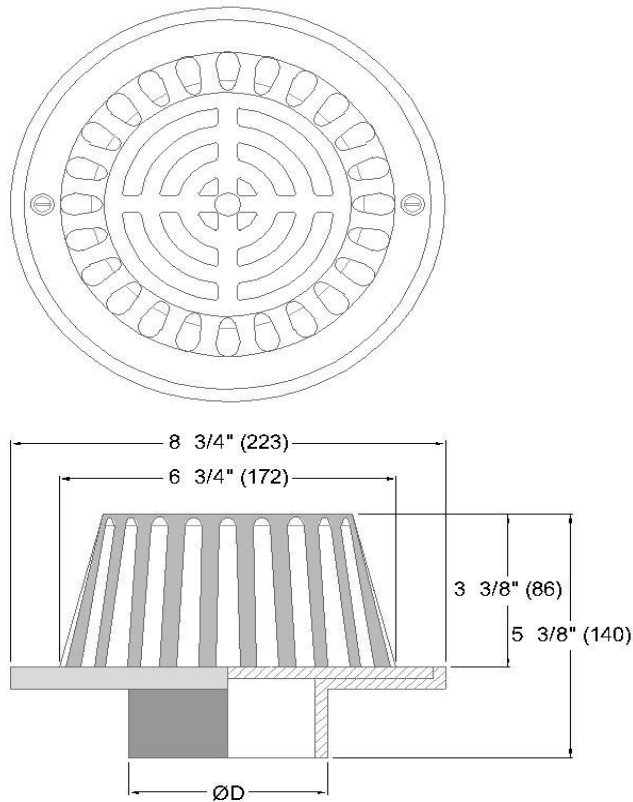


CARMIO L INDUSTRIALS.A.
 200 North of F A C O
 San José, Costa Rica
 Tel. (506) 2240-3836 Fax.(506) 2297-0179
 carmiolindustrial@ice.co.cr www.carmiolindustrial.com

C I 2 0 6

M E D I U M R O O F D R A I N W I T H F L A T D O M E A N D F L A T B O D Y

Concrete roof gutters, balconies, rooftops or any area with no foot traffic where the accumulation of leaves and other debris is expected. The height of the dome ensures the water will still flow towards the pipe even when the bottom of the dome is obstructed. Recommended for low profile slabs and outlet pipes of 4" or less.



All dimensions are subject to manufacturing tolerances and may change without notice

SCALE: NONE
DATE OF LAST CHANGE: 05-12-16
DATE: 04-27-09
APPROVED BY: AC
REVIEWED BY: AC
DRAWN BY: TV
DRAWING NUMBER: 0602009

Ø D inches (mm)	PIPE CONNECTION	M A T E R I A L	H inches (mm)	D O M E O P E N A R E A sq inches (cm ²)
2" (50)	E = embedded (best seller) RI = internal thread RE = external thread	A = aluminum	2 - 3/16" (55)	36.0 (232.4)
3" (75)			2 - 5/8" (67)	
4" (100)			3" (75)	